

FRONT OF HOUSE COUNTERS



MCU311-UHHH-FOH

Precision's sleek looking Front of House counters offers a sharp clean look when you are looking for a fridge that does not look like a fridge! Invisible handles and temperature display provide the ultimate minimalistic look, whilst still maintaining the high performance energy saving features of our standard counters.

The unit cover is made with solid stainless with no apparent ventilation holes or louvres. Despite this, these counters are still front breathing/venting so can be fully built-in, as with all our other counter products. Front of House models are available with drawers only.

Key Features:

- Stainless Steel Interior & Exterior
- Front Breathing & Venting Refrigeration System Designed To Operate In 43°C Ambient
- GN 1/1 Drawers
- Biscuit Top As Standard
- Built-In Air Duct For Even Temperature Distribution
- R290 Hydrocarbon Refrigerant
- Zero ODP Injected Polyurethane Insulation - 60mm
- 2 / +10°C Refrigerator Temperature Range
- Electronic Controller With Hidden Temperature Display
- Hot Gas Defrost
- Rifle Bore Coated Evaporators
- Invisible Handle
- Hi / Lo Audio Visual Temperature Alarms
- Condensing Unit Safety System To Protect Compressor From Blocked Condensers
- Heavy Duty Brake & Swivel Castors
- Waste Heat Recovery Condensate Vaporiser System

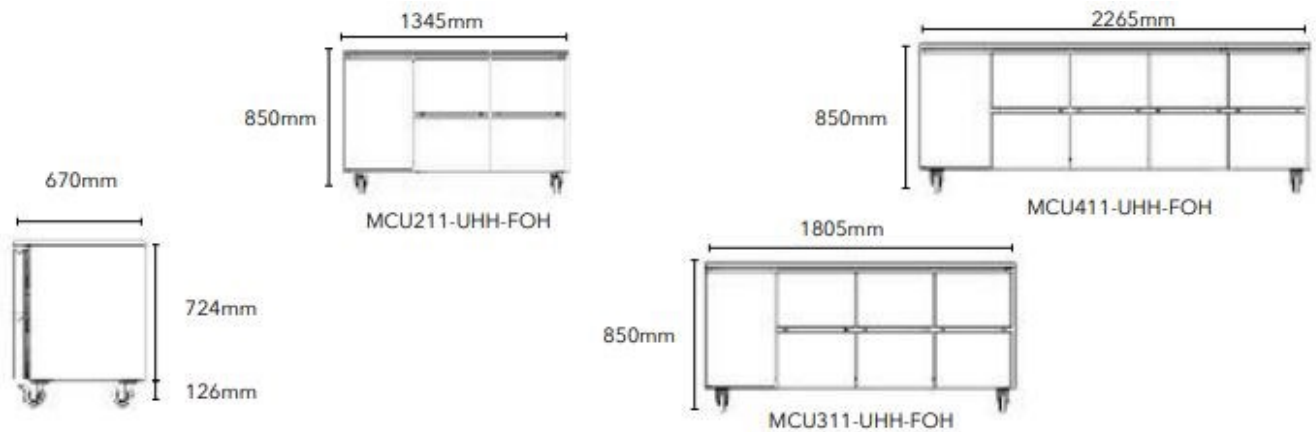


Hidden controller shown above

Options:

- Bank of 2 Drawers - H - (200/200mm Depth)
- Bank of 3 Drawers - T - (100/130/130mm Depth)
- Remote Units - R (Width reduces by 120mm)
- Low Profile Castors - Lowers Height By 17mm
- Levelling Feet (Plinth) - Lowers Height By 106mm
- Adjustable Legs - Increases Height to 910mm Max
- Right Hand Condensing Unit
- Invisible Electronic Magnetic Locks

FRONT OF HOUSE COUNTERS



Model	MCU211-UHH-FOH	MCU311-UHH-FOH	MCU411-UHH-FOH
Type	Refrigerator	Refrigerator	Refrigerator
Material	ST/ST Int/Ext	ST/ST Int/Ext	ST/ST Int/Ext
Shelf Size	GN1/1	GN1/1	GN1/1
Number of Drawers	4	6	8
Temperature Range	-2/+10°C	-2 / +10°C	-2/+10°C
Exterior WxDxH (mm)	1345x670x850	1805x670x850	2265x670x850
Net Usable Volume (litres)	162	243	330
Weight (KG)	115	145	185
Refrigerant / GWP	R290 /3	R290 /3	R290 /3
Refrigeration Watts (+45°C Condensing)	373	373	373
Evaporating Temp	-10°C	-10°C	-10°C
Heat Rejection Watts*	605	605	630
Noise Output (dBa)	62	62	62
Power	230 / 50 / 1	230 / 50 / 1	230 / 50 / 1
Running Amps	1.4	1.5	1.5
Energy Consumption / 24hrs - kWh**	1.25	2.55	3.19
Energy Consumption / Year (AEC) - kWh**	456	931	1164
Energy Efficiency Class**	A	C	C

* Heat Rejection is taken at the listed evaporating and condensing condition. Watts is calculated by taking the total power of the cabinet.

** Tested to EN16825

We are constantly innovating and improving our products. Please always check our website for the most up-to-date version of this spec sheet