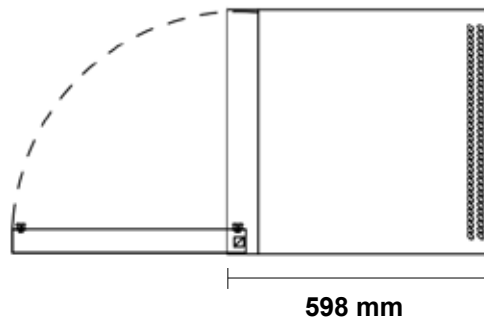
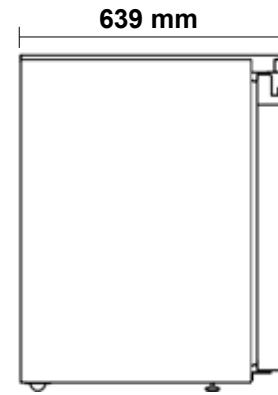
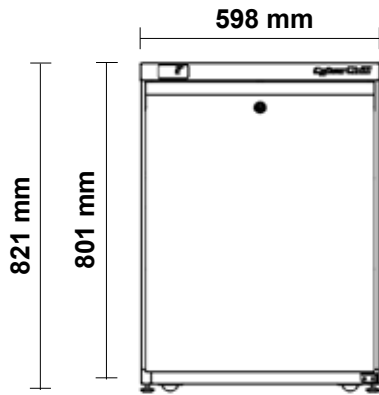


SPECIFICATIONS

HPU150

Integral 1-Door Under Counter Chiller



SPECIFICATIONS	
Refrigeration system	Electronic controlled, self-contained, refrigeration unit
Refrigerant	R134a / 160g
Nominal capacity	169 Watts @ -10°C SST
Cabinet internal volume	69 litres
Insulation	25mm thick, high density Zero ODP injected polyurethane insulation
Cabinet temperature range	+1°C to +4°C up to 43°C ambient
Drainage	Waste heat vaporiser located in service compartment (no plumbing required)
Electrical	220-240 Volts a.c. 50 Hz. 1.0 Amps
kWh/24hr	1.00
Internal door opening size	1 door opening: Accepts full 1/1 GN pans
Doors	Solid stainless steel, self-closing doors
Worktop	Removable stainless steel worktop
Shelves	2 shelves & adjustable tray slides per door (325mm wide x 530mm deep)
Weight	60kg
Cabinet dimensions	External
Width	600mm
Depth	640mm
Height	820mm

OPTIONS
Bank of 3 Drawers (HPU153)
Bank of 2 Drawers (HPU152)
Glass Door
Stacking kit Units
Legs / Castors
Padlocking facility
Hydrocarbon Refrigerant
Helicoil cable
Extra Shelves
Extra Slides
KEY FEATURES
Electronic controller with easy read LCD screen
Off cycle gas defrost
Door/Drawer locks fitted as standard
Rifle bore coated evaporators
Adjustable feet at front
Rollers at rear for easy positioning
Required small ventilation gap above unit