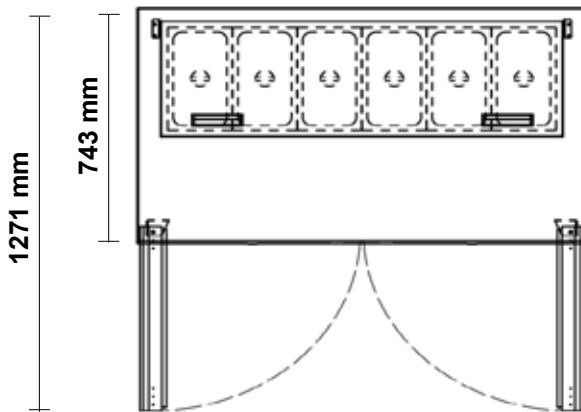
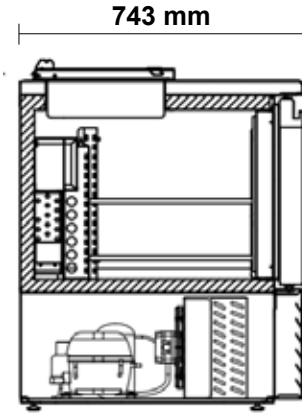
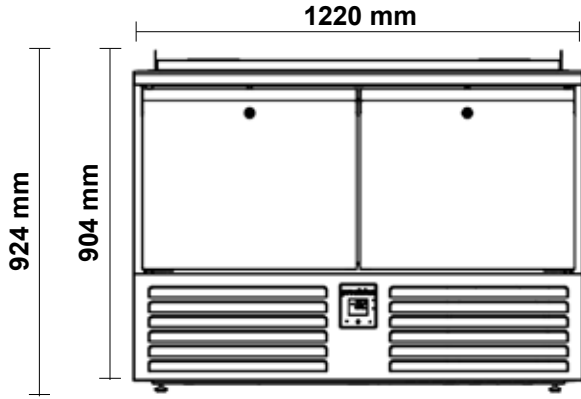


SPECIFICATIONS

HSS340-Prep



Space Saving Prep Counter Chiller



SPECIFICATIONS

Refrigeration system	Electronic controlled, self-contained, bottom mounted, refrigeration unit		
Refrigerant	R134a / 270g		
Nominal capacity	460 Watts @ -10°C SST		
Cabinet internal volume	100 litres		
Insulation	40mm thick, high density Zero ODP injected polyurethane insulation		
Cabinet temperature range	1°C to 4°C up to 43°C ambient		
Drainage	Waste heat vaporiser located in service compartment (no plumbing required)		
Electrical	220-240 Volts a.c. 50 Hz, 1.9 Amps		
kWh/24hr	n/a		
Internal door opening size	2 door opening: Accepts 2 x 1/1 GN pans		
Doors	Solid stainless steel, self-closing doors		
Worktop	Removeable stainless steel worktop		
Shelves	2 shelves & adjustable tray slides per door (325mm wide x 530mm deep)		
Weight	100kg		
Cabinet dimensions	External	Internal	
	Width	1220mm	1115mm
	Depth	745mm	630mm
	Height	915mm	435mm

OPTIONS

Bank of 2 Drawers
Water-cooled
Extra shelves
Extra slides
ST/ST back
Castors / legs
Helicoil cable
Hydrocarbon refrigerant
HFO blast chiller