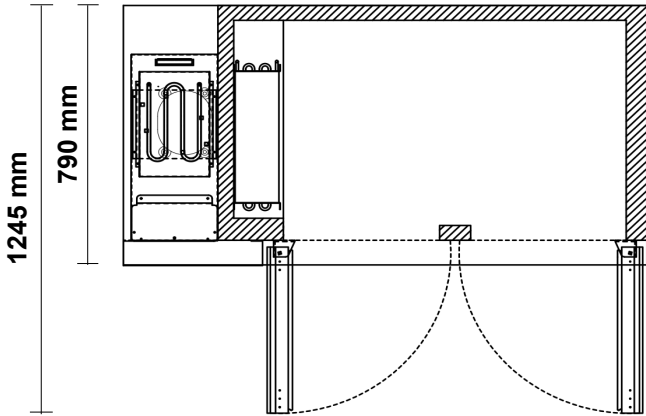
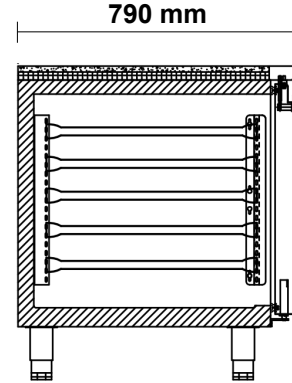
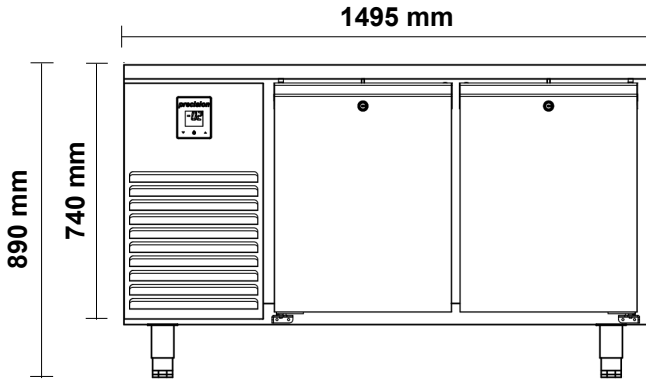


SPECIFICATIONS

LBCU264-UDD

Bakery Products 2-Door Counter Freezer



SPECIFICATIONS

Refrigeration system	Electronic controlled, self-contained, side mounted, refrigeration unit		
Refrigerant	R404a / 240g		
Nominal capacity	480 Watts @ -30°C SST		
Cabinet internal volume	208 litres		
Insulation	60mm thick, high density Zero ODP injected polyurethane insulation		
Cabinet temperature range	-18°C to -22°C up to 43°C ambient		
Drainage	Waste heat vaporiser located in service compartment (no plumbing required)		
Electrical	220-240 Volts a.c. 50 Hz, 2.2 Amps		
kWh/24hr	11.2		
Internal door opening size	2 door opening, accepts 600mm x 400mm trays		
Doors	Stainless steel, self-closing, lockable solid doors		
Worktop	Removable stainless steel worktop		
Tray slide capacity	5 tray slides per door (Total 10)		
Weight	120kg		
Cabinet dimensions	External	Internal	
	Width	1495mm	975mm
	Depth	790mm	670mm
	Height	700mm*	600mm

OPTIONS

- Glass Doors
- Bank of 2 Drawers
- Bank of 3 Drawers
- Remote Units
- Castors (Std on 150mm Legs)
- Splashbacks
- Extended Worktops
- No Worktop
- Different Heights
- Raised Pan Grid
- Countertop Well
- Over-shelf / Gantry
- Water-cooled
- Extra Shelves
- Extra Slides
- ST/ST Back
- Heli-coil Cable
- Hydrocarbon Refrigerant
- HFO Refrigerant

* Height excludes castors, legs or SS worktop