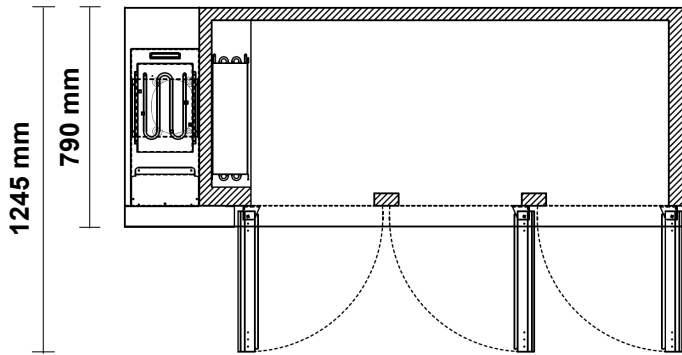
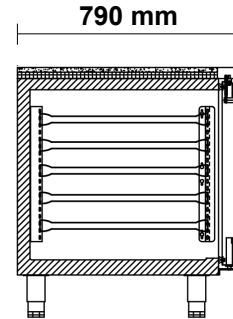
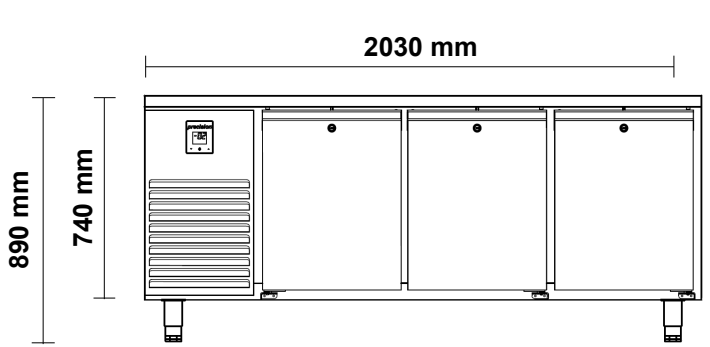


# SPECIFICATIONS

## LBCU364-UDDD

### Bakery Products 3-Door Counter Freezer



#### SPECIFICATIONS

Refrigeration system	Electronic controlled, self-contained, side mounted, refrigeration unit
Refrigerant	R404a / 240g
Nominal capacity	480 Watts @ -30°C SST
Cabinet internal volume	312 litres
Insulation	60mm thick, high density Zero ODP injected polyurethane insulation
Cabinet temperature range	-18°C to -22°C up to 43°C ambient
Drainage	Waste heat vaporiser located in service compartment (no plumbing required)
Electrical	220-240 Volts a.c. 50 Hz, 4.3 Amps
kWh/24hr	13.1
Internal door opening size	3 door opening, accepts 600mm x 400mm trays
Doors	Stainless steel, self-closing, lockable solid doors
Worktop	Removable stainless steel worktop
Tray slide capacity	5 tray slides per door (Total 15)
Weight	150kg
Cabinet dimensions	<b>External</b>
	<b>Width</b> 2030mm
	<b>Depth</b> 790mm
	<b>Height</b> 700mm*

#### OPTIONS

- Glass Doors
- Bank of 2 Drawers
- Bank of 3 Drawers
- Remote Units
- Castors (Std on 150mm Legs)
- Splashbacks
- Extended Worktops
- No Worktop
- Different Heights
- Raised Pan Grid
- Countertop Well
- Over-shelf / Gantry
- Water-cooled
- Extra Shelves
- Extra Slides
- ST/ST Back
- Heli-coil Cable
- Hydrocarbon Refrigerant
- HFO Refrigerant

\* Height excludes castors, legs or SS worktop