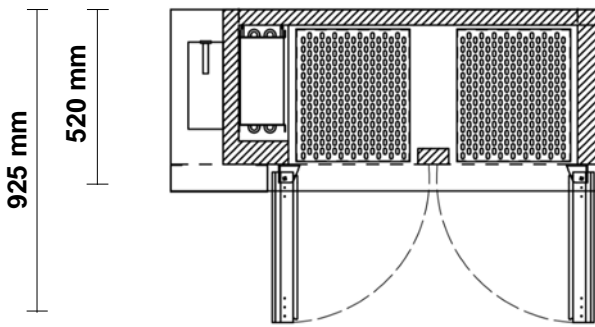
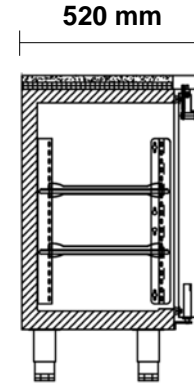
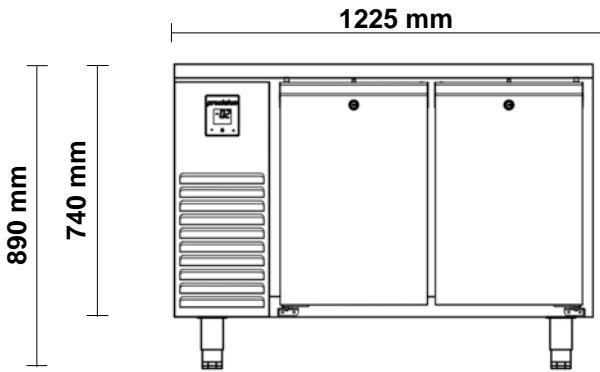


SPECIFICATIONS

LCR223-RDD

520 Series 2-Door Remote Counter Freezer



| SPECIFICATIONS | | |
|----------------------------|--|----------|
| Refrigeration system | Electronic controlled, remote, refrigeration unit | |
| Refrigerant | R404a | |
| Nominal capacity | 480 Watts @ -30°C SST | |
| Cabinet internal volume | 120 litres | |
| Insulation | 60mm thick, high density Zero ODP injected polyurethane insulation | |
| Cabinet temperature range | -18°C to -22°C up to 43°C ambient | |
| Drainage | Waste heat vaporiser located in service compartment (no plumbing required) | |
| Electrical | 220-240 Volts a.c. 50 Hz, 4.2 Amps | |
| kWh/24hr | n/a | |
| Internal door opening size | 2 door opening, accepts full 2/3 or 2 x 1/3 GN pans | |
| Doors | Stainless steel, self-closing, lockable solid door | |
| Worktop | Removable stainless steel worktop | |
| Shelves | 2 shelves & adjustable tray slides per door (Total 4) | |
| Weight | 90kg | |
| Cabinet dimensions | External | Internal |
| Width | 1225mm | 825mm |
| Depth | 520mm | 400mm |
| Height | 700mm* | 600mm |

| OPTIONS |
|------------------------------------|
| • Glass Doors |
| • Bank of 2 Drawers |
| • Bank of 3 Drawers |
| • Integrated Units |
| • Castors (standard on 150mm legs) |
| • Splashbacks |
| • Extended Worktops |
| • No Worktop |
| • Different Heights |
| • Raised Pan Grid |
| • Countertop Well |
| • Over-shelf / Gantry |
| • Water-cooled |
| • Extra Shelves |
| • Extra Slides |
| • ST/ST Back |
| • Heli-coil Cable |
| • Hydrocarbon Refrigerant |
| • HFO Refrigerant |

* Height excludes castors, legs or SS worktop