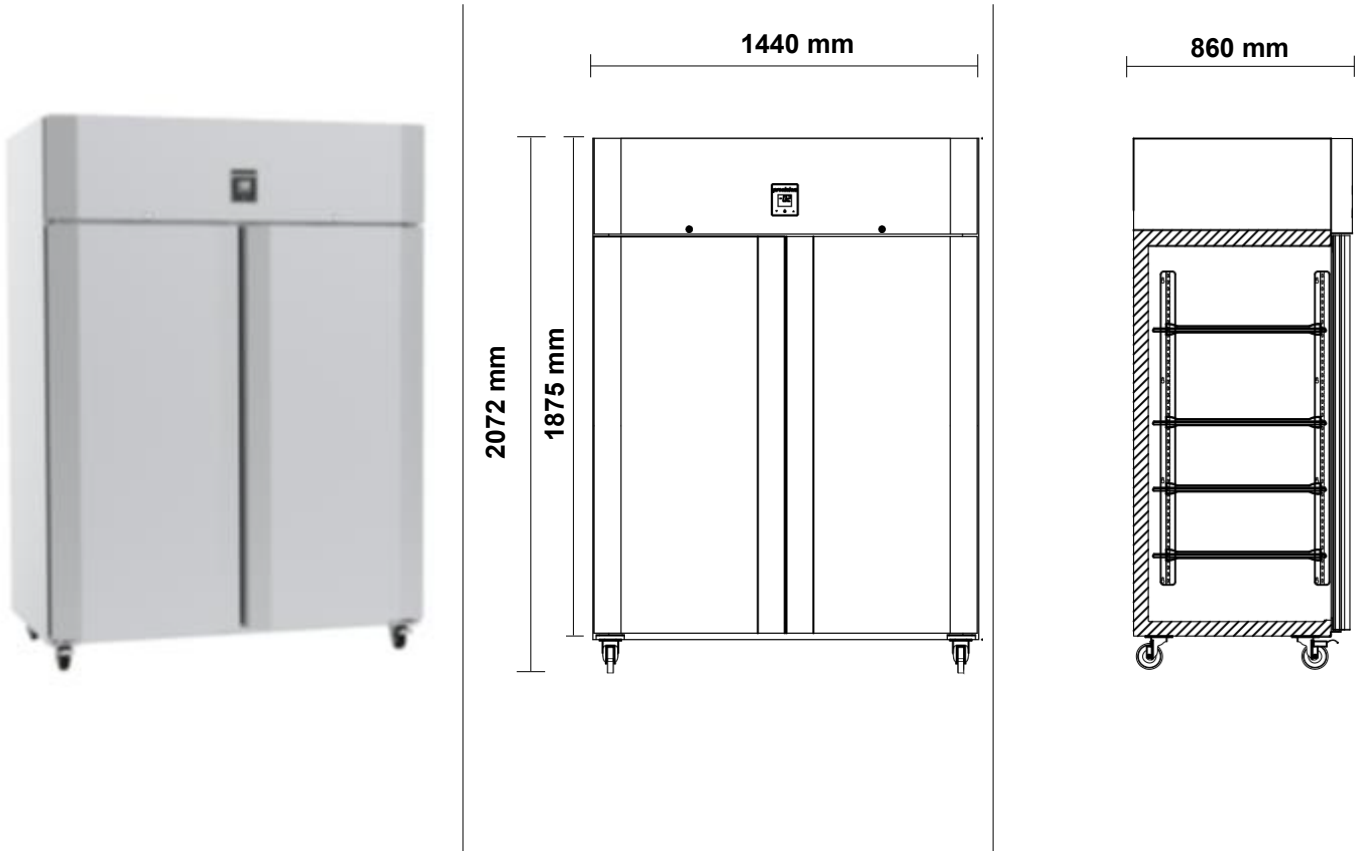


SPECIFICATIONS

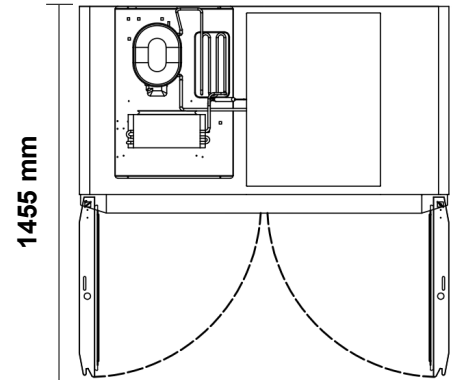
LPT1401

Top Mount 2-Door Cabinet Freezer



SPECIFICATIONS

Refrigeration system	Electronic controlled, self-contained, top mounted, refrigeration unit		
Refrigerant	R404a / 400g		
Nominal capacity	900 Watts @ -30°C SST		
Cabinet internal volume	1400 litres		
Insulation	60mm thick, high density, Zero ODP injected polyurethane insulation		
Cabinet temperature range	-18°C to -22°C up to 43°C ambient		
Drainage	Waste heat vaporiser located in service compartment (no plumbing required)		
Electrical	220 - 240 Volts a.c. 50 Hz, 5.5 Amps		
Internal door opening size	2 door opening: Accepts full 1/1 & 1/2GN pans		
Doors	Stainless steel, self-closing, lockable solid door		
Shelves	4 shelves & adjustable tray slides per door (530mm wide x 650mm deep)		
Weight	230 kg		
Cabinet dimensions	External	Internal	
	Width	1440mm	1320mm
	Depth	860mm	685mm
	Height	2072mm	1405mm



OPTIONS

Glass doors
Half doors
Legs (Std on castors)
Extra shelves
Extra slides
ST/ST back
Helicoil Cable
Hydrocarbon refrigerant
Remote