

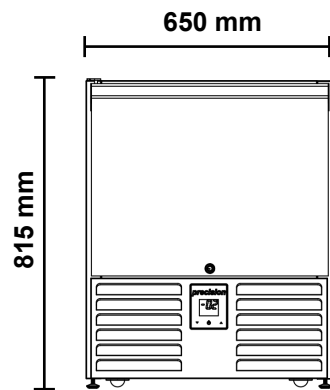
# SPECIFICATIONS

# precision

refrigeration

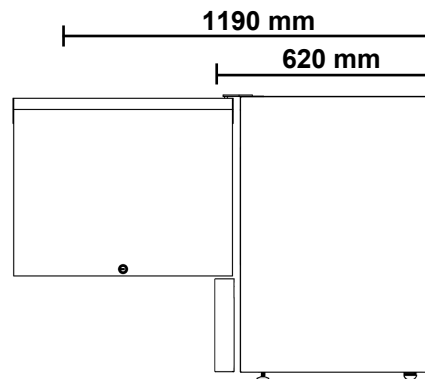
## LUC150

Space Saving Solutions Freezer



### Options:

- Bank of 2 Drawers
- Watercooled
- Extra Shelves
- Extra Slides
- ST/ST Back
- Castors / Legs
- Helicoil Cable
- Hydrocarbon Refrigerant
- HFO Blast Chiller



### SPECIFICATIONS

<b>Refrigeration system:</b>	Electronic controlled, self-contained, side mounted, refrigeration unit
<b>Refrigerant:</b>	R404a / 170g
<b>Nominal capacity:</b>	480 Watts @ -30°C SST
<b>Cabinet internal volume:</b>	150 litres
<b>Insulation:</b>	40mm thick, high density 0 ODP injected polyurethane insulation
<b>Cabinet temperature range:</b>	-18°C to -22°C up to 43°C ambient
<b>Drainage:</b>	Waste Heat Vaporiser located in service comp. (no plumbing required)
<b>Electrical:</b>	220-2400 Volts a.c. 50 Hz, 4.4 Amps
<b>kWh/24 hr :</b>	N/A
<b>Internal door opening size:</b>	1 door opening: Accepts full 1/1 GN pans
<b>Doors:</b>	Solid stainless steel, self-closing doors
<b>Worktop:</b>	Removable Stainless Steel Worktop
<b>Shelves:</b>	2 shelves & adjustable tray slides per door (325mm wide x 530mm deep)
<b>Weight:</b>	70 kg

### CABINET DIMENSIONS

	External	Internal
<b>Width:</b>	650mm	570mm
<b>Depth:</b>	620mm	505mm
<b>Height:</b>	790mm*	445mm
<b>Floor area:</b>	0.61m <sup>2</sup>	

\* Height excludes castors, legs or SS worktop

**CyberChill**