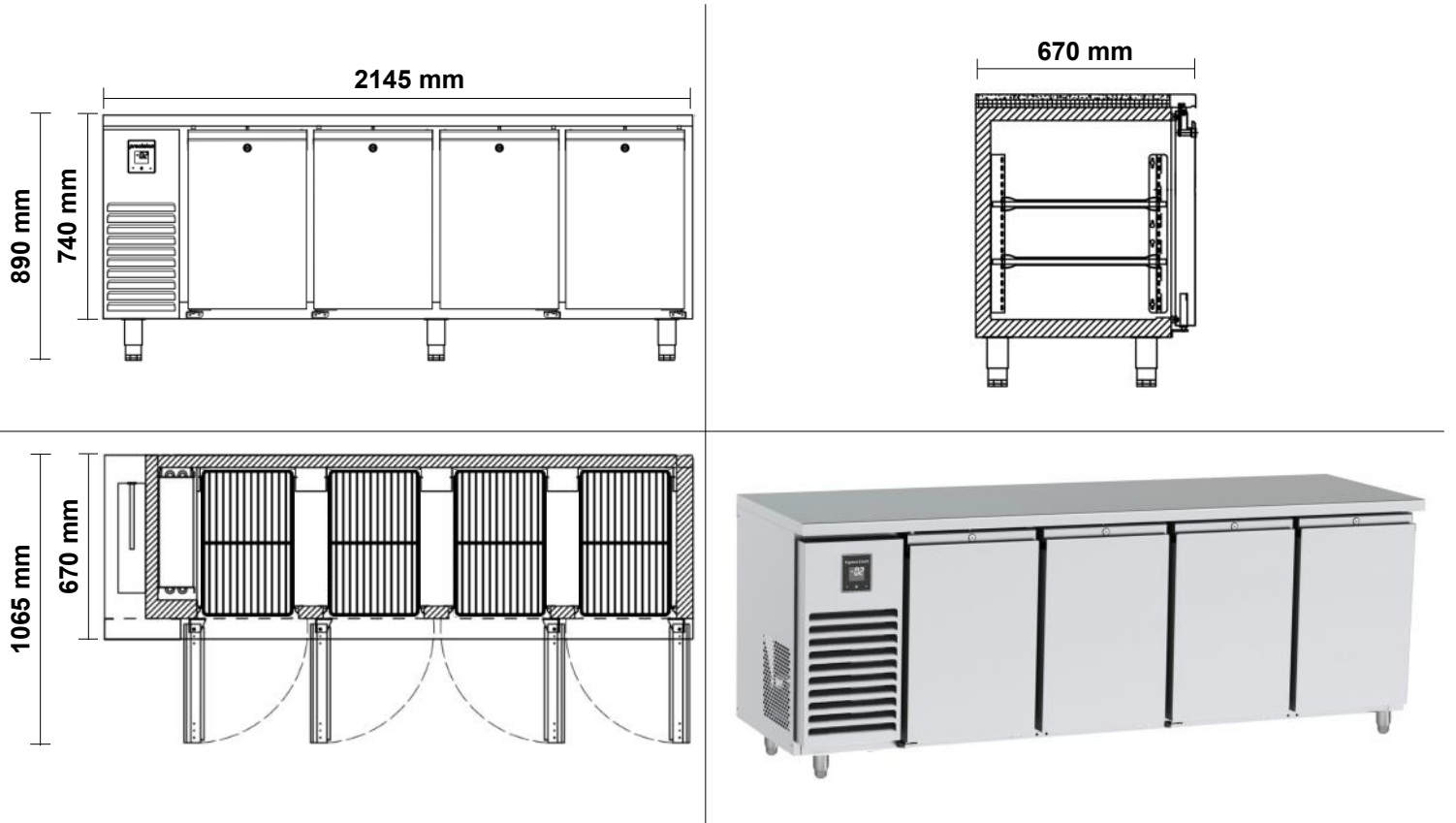


SPECIFICATIONS

MCR411-RDDDD

670 Series 4-Door Remote Counter Chiller



SPECIFICATIONS			
Refrigeration system	Electronic controlled, self-contained, side mounted, refrigeration unit		
Refrigerant	R404a		
Nominal capacity	412 Watts @ -10°C SST		
Cabinet internal volume	337 litres		
Insulation	60mm thick, high density Zero ODP injected polyurethane insulation		
Cabinet temperature range	-2°C to +10°C up to 43°C ambient		
Drainage	Waste heat vaporiser located in service compartment (no plumbing required)		
Electrical	220-240 Volts a.c. 50 Hz, 3.0 Amps		
kWh/24hr	N/a		
Internal door opening size	4 door opening, accepts full 1/1 GN pans (325mm wide x 530mm deep)		
Doors	Stainless steel, self-closing, lockable solid doors		
Worktop	Removable stainless steel worktop		
Shelves	2 shelves & adjustable tray slides per door (Total 8)		
Weight	165kg		
Cabinet dimensions	External	Internal	
	Width	2145mm	1745mm
	Depth	670mm	550mm
	Height	700mm*	600mm

OPTIONS
• Glass Doors
• Bank of 2 Drawers
• Bank of 3 Drawers
• Remote Units
• Castors (Std on 150mm legs)
• Splashbacks
• Extended Worktops
• No Worktop
• Different Heights
• Raised Pan Grid
• Countertop Well
• Over-shelf / Gantry
• Water-cooled
• Extra Shelves
• Extra Slides
• ST/ST Back
• Heli-coil Cable
• Hydrocarbon Refrigerant
• HFO Refrigerant

* Height excludes castors, legs or SS worktop