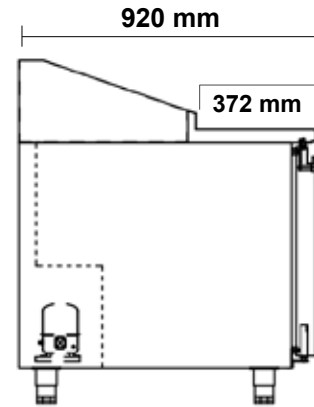
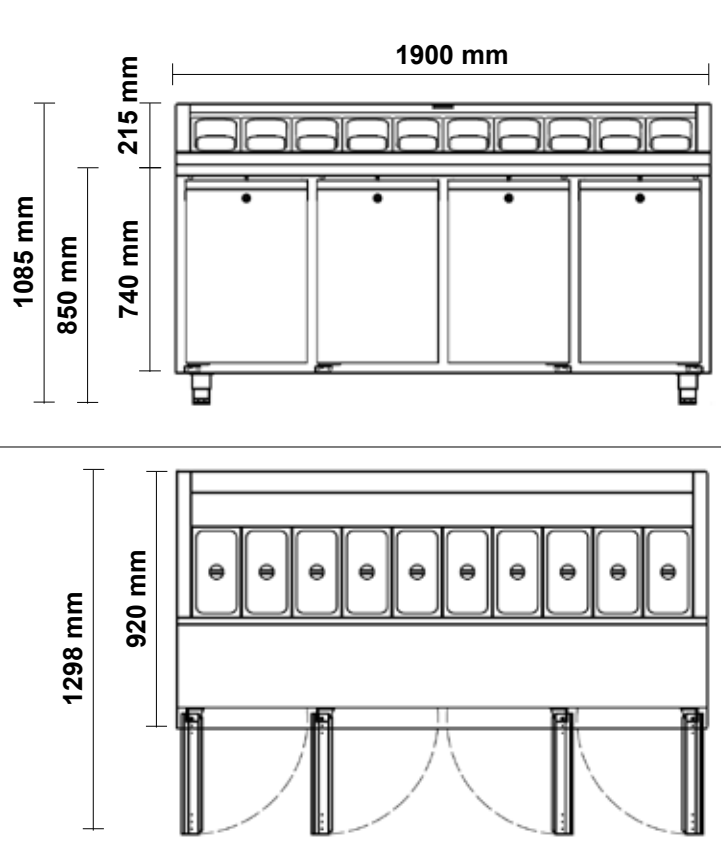


# SPECIFICATIONS

## PPC401

### 4-Door Integral Prep Counter Chiller



#### SPECIFICATIONS

Refrigeration system	Electronic controlled, self-contained, rear mounted, refrigeration unit		
Refrigerant	R134a / 300g		
Nominal capacity	700 Watts @ -10°C SST		
Insulation	60mm thick, high density Zero ODP injected polyurethane insulation		
Cabinet temperature range	+1°C to +4°C up to 43°C ambient		
Drainage	Waste heat vaporiser located in service compartment (no plumbing required)		
Electrical	220-240 Volts a.c. 50 Hz, 4.0 Amps		
kWh/24hr	N/a		
Raised Grid	Accepts 10 x GN 1/3 pans (150mm deep)		
Internal door opening size	4 door opening, accepts full 1/1 GN pans (325mm wide x 530mm deep)		
Doors	Stainless steel, self-closing, lockable solid door		
Worktop	Integrated stainless steel worktop		
Shelves	2 shelves & adjustable tray slides per door (Total 8)		
Weight	240kg		
Cabinet dimensions	External	Internal	
	Width	1900mm	1800mm
	Depth	920mm	540mm
	Height	1085mm	600mm

#### OPTIONS

Bank of 2 Drawers
Bank of 3 Drawers
Remote Units
Legs (Std on castors)
Extended Worktops
No Worktop
Different Heights
Water-cooled
Extra Shelves
Extra Slides
ST/ST Back
Heli-coil Cable
Hydrocarbon Refrigerant
HFO Refrigerant