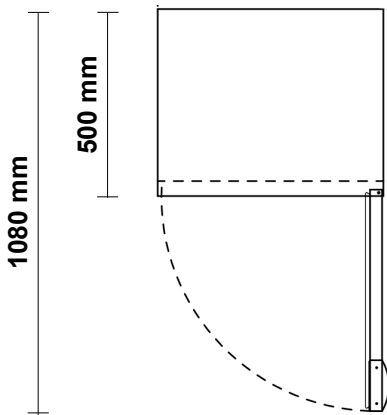
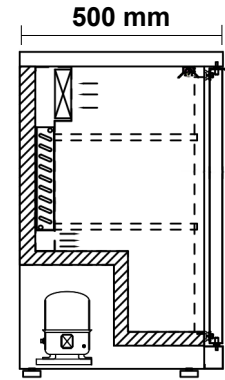
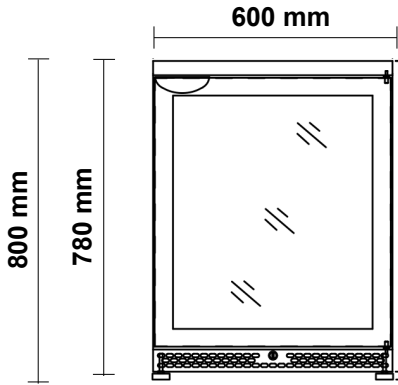


# SPECIFICATIONS

## TBBS600-800

### 43° Topicalised 1-Door Back Bar Storage



#### SPECIFICATIONS

<b>Refrigeration system</b>	Electronic controlled, self-contained, refrigeration unit	
<b>Refrigerant</b>	R134a / 195g	
<b>Nominal capacity</b>	520 Watts @ -5°C SST	
<b>Capacity (300ml bottles)</b>	136 bottles	
<b>Insulation</b>	35mm thick, high density Zero ODP injected polyurethane insulation	
<b>Cabinet temperature range</b>	+3°C to +15°C up to 43°C ambient	
<b>Drainage</b>	Waste heat vaporiser located in service compartment (no plumbing required)	
<b>Electrical</b>	220-240 Volts a.c. 50 Hz, 1.2 Amps	
<b>kWh/24hr</b>	N/a	
<b>Internal door opening size</b>	1 door opening: 530mm x 670mm	
<b>Doors</b>	Stainless steel, reversible self-closing glass doors	
<b>Worktop</b>	Removeable stainless steel worktop	
<b>Shelves</b>	2 x perforated SS adjustable shelves per door (Total 2)	
<b>Weight</b>	55kg	
<b>Cabinet dimensions</b>	<b>External</b>	<b>Internal</b>
<b>Width</b>	600mm	530mm
<b>Depth</b>	500mm	370mm
<b>Height</b>	800mm	626mm

#### OPTIONS

- Solid Doors
- Sliding Glass/Solid Doors
- Height - 845mm
- Height - 900mm
- Coloured SS exterior
- Castors / Adjustable Legs (Std on adjustable levelling feet)

#### EXTERIOR FINISHES

- 316 ST/ST
- Mirrored ST/ST
- Coloured ST/ST
- Black plastisol
- Painted (any RAL)