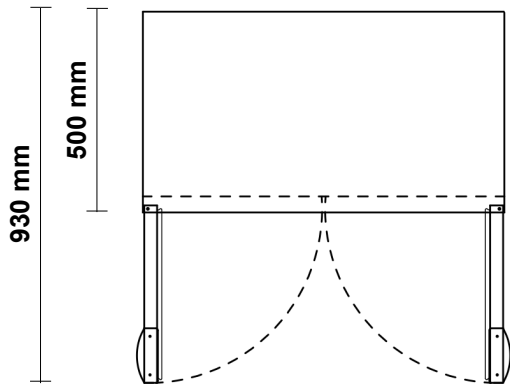
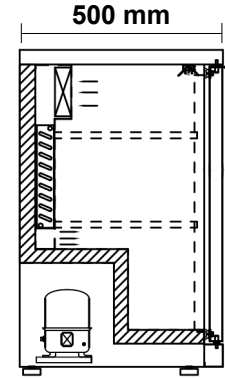
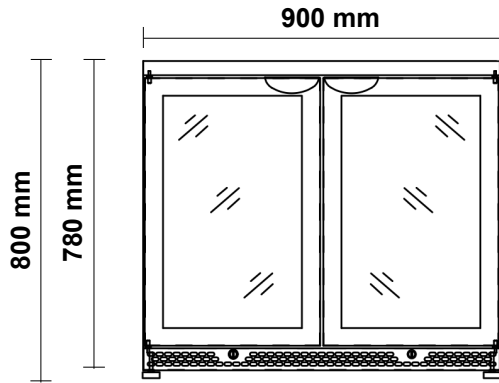


SPECIFICATIONS

TBBS900-800

43° Topicalised 2-Door Back Bar Storage



SPECIFICATIONS

Refrigeration system	Electronic controlled, self-contained, refrigeration unit	
Refrigerant	R134a / 195g	
Nominal capacity	530 Watts @ -5°C SST	
Capacity (330ml bottles)	166 bottles	
Insulation	35mm thick, high density Zero ODP injected polyurethane insulation	
Cabinet temperature range	+3°C to +15°C up to 43°C ambient	
Drainage	Waste heat vaporiser located in service compartment (no plumbing required)	
Electrical	220-240 Volts a.c. 50 Hz, 1.2 Amps	
kWh/24hr	N/a	
Internal door opening size	2 door openings	
Doors	Stainless steel, reversible self-closing glass doors	
Worktop	Removeable stainless steel worktop	
Shelves	2 x perforated SS adjustable shelves per door (Total 4)	
Weight	71kg	
Cabinet dimensions	External	Internal
Width	900mm	830mm
Depth	500mm	370mm
Height	800mm	626mm

OPTIONS

- Solid Doors
- Sliding Glass/Solid Doors
- Height - 845mm
- Height - 900mm
- Coloured SS exterior
- Castors / Adjustable Legs (Std on adjustable levelling feet)

EXTERIOR FINISHES

- 316 ST/ST
- Mirrored ST/ST
- Coloured ST/ST
- Black plastisol
- Painted (any RAL)